

# 2-PC Full Port Ball Valve Flanged End



**A2FS-150LBS SIZE: 1/2" ~ 4" HOT**



**STAINLESS STEEL**  
 AISI-316 (DIN 1.4408) (ASTM-A351-CF8M)  
 AISI-304 (DIN 1.4308) (ASTM-A351-CF8)  
**CARBON STEEL**  
 S-45C (DIN 1.0619) (ASTM-A216-WCB)

**FEATURES:**

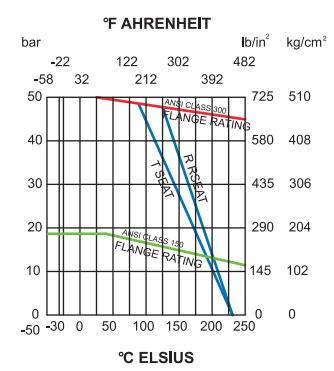
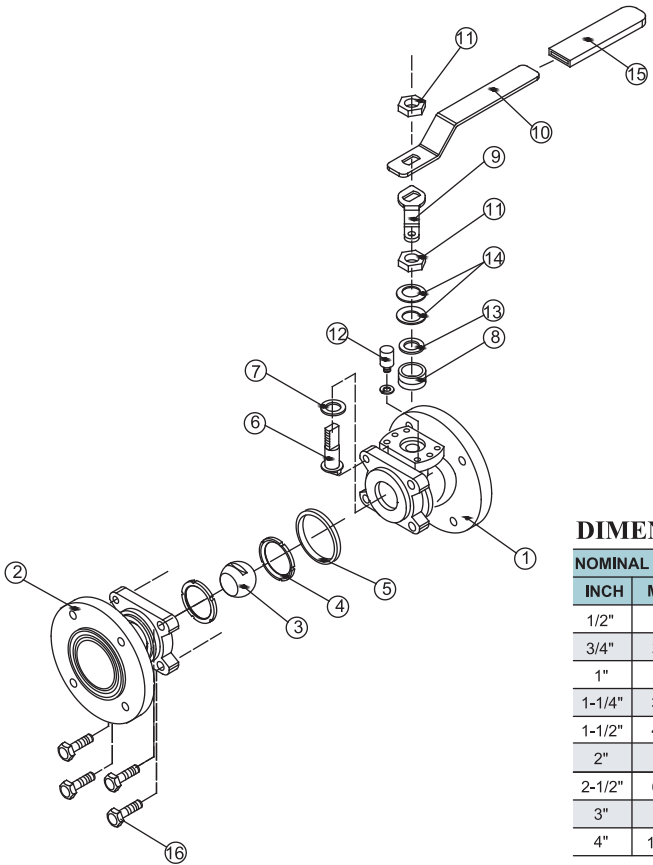
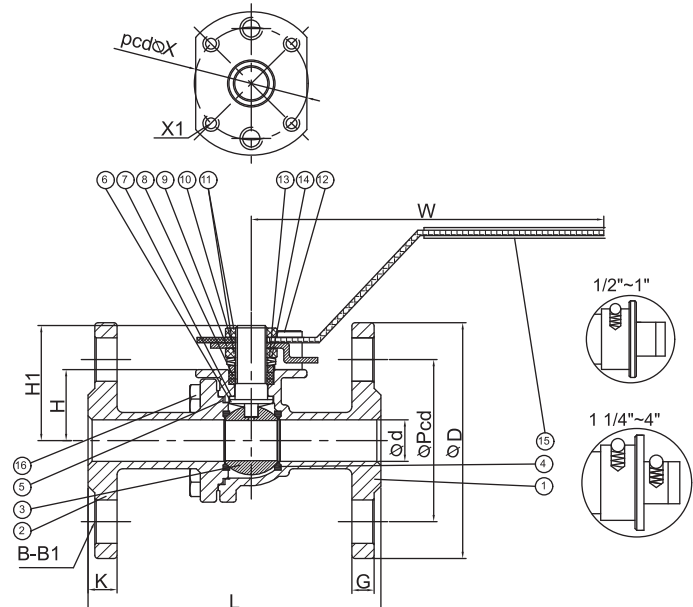
- \*Flange: ANSI B16.5 Class 150
- \*Face to face: ANSI B16.10
- \*Pressure rating: 150LBS
- \*Investment casting body and cap
- \*Blow-out proof stem
- \*ISO 5211 mounting pad
- \*Fire-safe design
- \*Anti-static device

**OPTION:**

- \*Solid ball: 1/2"~4"
- \*Hollow ball: 2-1/2"~4"

**MATERIALS LIST**

ITEM	PARTS	QTY	MATERIALS		
			A2FS-316	A2FS-304	A2FS-WCB
1	BODY	1	ASTM-A351-CF8M	ASTM-A351-CF8	ASTM-A216-WCB
2	CAP	1	ASTM-A351-CF8M	ASTM-A351-CF8	ASTM-A216-WCB
3	BALL	1	ASTM-A351-CF8M	ASTM-A351-CF8	ASTM-A351-CF8
4	BALL SEAT	2	PTFE	PTFE	PTFE
5	JOINT GASKET	1	PTFE	PTFE	PTFE
6	STEM	1	AISI 316	AISI 304	AISI 304
7	THRUST WASHER	1	PTFE	PTFE	PTFE
8	STEM PACKING	2	PTFE	PTFE	PTFE
9	STOPPER	1	AISI 304	AISI 304	AISI 304
10	HANDLE	1	AISI 430	AISI 430	AISI 430
11	NUT	2	AISI 304	AISI 304	AISI 304
12	STOP PIN	1	AISI 304	AISI 304	AISI 304
13	STEM RING	1	AISI 304	AISI 304	AISI 304
14	BELLEVILLE WASHER	2	AISI 304	AISI 304	AISI 304
15	PLASTIC COVER	1	PLASTIC	PLASTIC	PLASTIC
16	BOLT	2-1/2"-4" x 6 pcs 1/2"-2" x 4 pcs	AISI 304	AISI 304	AISI 304



**DIMENSIONS**

NOMINAL SIZE		CLASS-150							UNIT: mm				
INCH	MM	Ød	G	K	D	B	B1	L	H	H1	W	X	X1
1/2"	15	15.5	8.2	10.7	88	16.2	4	108	26.5	16.45	130	42	M5
3/4"	20	20.5	9.5	12	97	16.2	4	117.1	30.1	17.2	130	42	M5
1"	25	25.5	10.5	13	107	16.2	4	127	35.25	23.3	160	50	M6
1-1/4"	32	32.5	11.5	14	115	16.2	4	140	40.8	23.3	160	50	M6
1-1/2"	40	38.5	12.5	16	125	16.2	4	166	48	30.2	200	70	M8
2"	50	50.6	14	17.5	150.5	19.3	4	178	56.5	30.2	200	70	M8
2-1/2"	65	65	16.8	20.3	176	19.3	4	190	74.5	29.7	220	70	M8
3"	80	80.5	17.5	21	188.5	19.3	4	203	86	39.6	260	102	M10
4"	100	100	17.5	21	227	19.3	8	229	107.75	38.1	260	102	M10